



Volvo EC Mini Digger works like a real excavator with its hydraulically controlled arms. It is a "grown-up digger" for children and it will quickly become the natural attraction amongst visiting children. The concept is normally arranged in a cluster of mini diggers around a sand pit.

Versatile

Suitable for any kind of environment and is already on hand in farm parks, amusement parks, zoological parks, camping facilities, play grounds, hotels and shopping centers in many countries around the world.

Reliable

Mini Digger is easy to operate, safe, sturdy and very reliable. The machine is equipped with coin or token mechanism and operates on direct current. Meets world-wide safety standards.



Grow Through Play
Tulleys Farm
Turners Hill, Crawley
West Sussex RH10 4PE

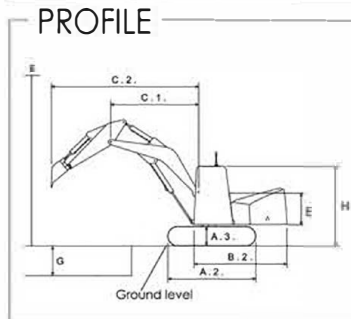
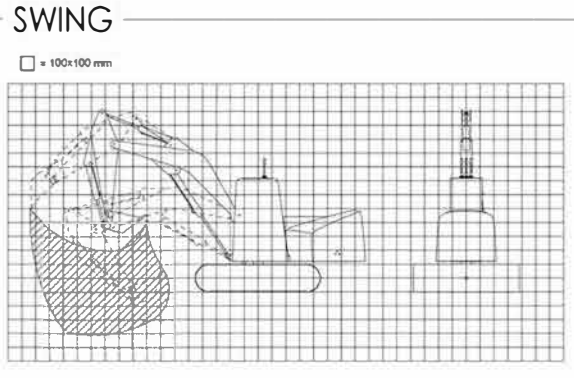
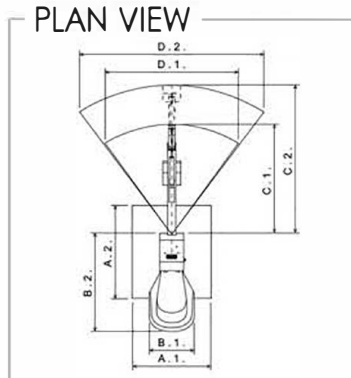
T : 01342 718471
E : info@GrowThroughPlay.co.uk
W : www.GrowThroughPlay.co.uk

Grow Through Play - Mini Diggers

Technical Information

- Electrical Requirements: 230VAC/6A USA, transformer - In: 110V, Out: 230V
- Location of Electrical Supply at Machine: In dry secure location
- Hydraulically Operated: with 3 cylinders, a hydraulic control valve and a 230V oil pump motor
- Oil Pump: pump is set to 18-20 bar and must not be increased for safety reasons
- Shovel capacity: Approx. 3 litres of sand

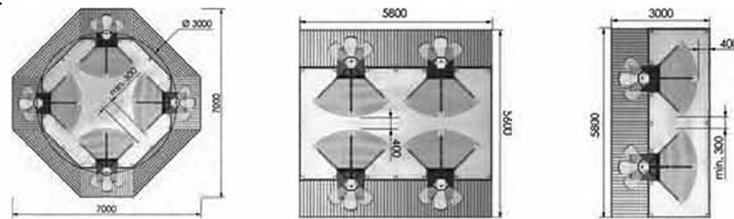
- Weight: 92 Kg
- Noise: Max 65 db
- Body: Stainless Steel
- Color: Volvo Yellow and Gray
- Operation System: Coin mechanism
- Time Relay: Adjustable to 3 or 4 minutes
- Recommended Age of Operator: 5 to 12 years old



DIMENSIONS

(A) PLATFORM A.1. WIDTH: 76cm A.2. LENGTH: 90cm A.3. HEIGHT: 20cm	(D) ARC D.1. MINIMUM WIDTH: 160cm D.2. MAXIMUM WIDTH: 232cm
(B) BODY B.1. WIDTH: 43cm B.2. LENGTH: 95cm	(E) SEAT HEIGHT FROM PLATFORM: 34cm
(C) ARM C.1. MINIMUM EXTENSION: 71cm C.2. MAXIMUM EXTENSION: 142cm	(F) MAXIMUM HEIGHT OF UNIT EXTENDED: 150cm
	(G) LEVEL OF SAND RECOMMENDED: 35cm MAXIMUM DIGGING DEPTH FROM BOTTOM OF MACHINE: 31cm
	(H) HEIGHT OF BODY OF MACHINE: 82cm

ARRANGEMENT OPTIONS



COSTS

PRICES

Please call 01342 718471 for latest prices and model codes. Multi Pack discounts available. All prices subject to VAT. Prices are subject to change without prior notice.

DELIVERY

We deliver throughout the UK. Delivery costs depend on quantity of order. Please call for an estimate and details.

PAYMENT TERMS

50% deposit with order. Balance due 7 working days prior to dispatch. All goods remain the property of Grow Through Play until full and final payment is cleared.

The Wright Event

T : 01732 529 511

Ashtree Farm (Unit B)

E : info@thewrightevent.co.uk

Teston Road, West Malling

W : www.GrowThroughPlay.co.uk

ME19 5RL